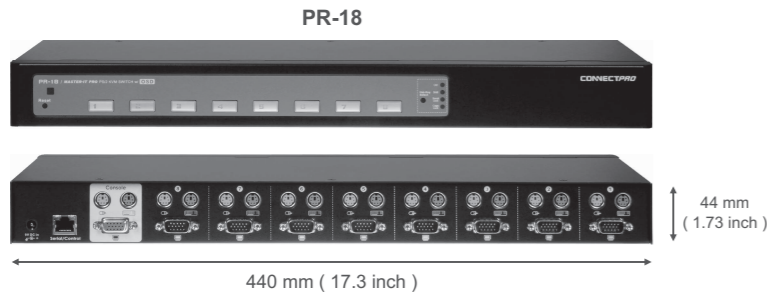
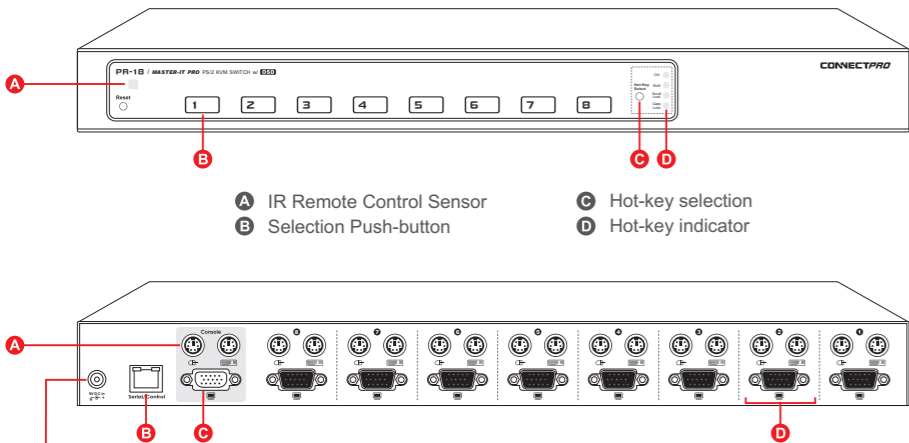


Installation Guide

Product View



Front & Rear View



Power input DC 9V 500 mA
 Master-IT PRO switches are designed for effectively saving electricity energy.
 External power input is not required if it is not cascaded to second layer KVM switches.

- A PS/2 console connections for mouse and keyboard
- B Serial port for extra control and firmware upgrade
- C VGA connection for LCD or CRT monitor
- D KVM ports for connecting systems

Connect Cables



- 1 External power adapter is not required, if there is no cascaded KVM switches connected to the master unit
- 2 Connect console
 1. Monitor
 2. Mouse
 3. Keyboard
- 3 Connect KVM cable from computer system to KVM ports

Port Selection



- 1 Press button to select port for control
- 2 Type hot-key to select port for control
- 3 Use IR remote controller for selecting port (optional)

Ordering Information

Model	Description
PR-18	8-port PS/2 VGA KVM Switch with OSD control
Optional part / accessory	
Cables	
SPS-06P	6-ft PS/2 KVM cable
SPS-10P	10-ft PS/2 KVM cable
SPS-15P	15-ft PS/2 KVM cable, special length of KVM cables are available (25-ft, 50-ft, 75-ft and 100-ft)
Power Adaptor	
PWR-IEC-0905-25	Switching DC 9V (500 mA) - IEC / AV 90/264V
CP-1-6	6-ft, IEC C13 power cord for US
Power cords for other areas and different lengths are available	
IR Remote Controller	
RC-04	IR remote controller for 8 / 12 / 16-port KVM Switch
Rack Mounting Kit	
RMK-1902	19" rack mounting bracket set for 8 / 12 / 16-port KVM Switch
RBK-19	19" rack mounting cable support bar

OSD (On-Screen-Display) Operation

1 Main Menu
 A KVM title, B Main menu tab, C Master channel name, D Auto-scan enabled, E Cascaded to next layer KVM switch, F Show Banner enabled

2 Channel Selection
 A Master channel name, B Cascaded channel name, C Layer number

3 Console setup and status
 A Tab, B Console setup and status tab, C Buzzer ON / OFF, D OSD firmware version, E OSD login authority

4 OSD Position
 A Tab, B OSD position tab

5 Banner Position
 Moving the arrow keys around and enter to confirm the banner displaying position

6 Security Setting
 A Tab, B Security setting tab, C Confirm change

7 Language
 A Tab, B Language tab, C Language selected

8 User Login
 When OSD Login Authority set to " YES ", User Login interface will display
Special note :
 Default User : USER Default Password : 1234

Features & Benefits

- Compatible with Windows (Windows 3.1, 98, 2000, XP, Vista, 7), Linux and Mac OS
- Front panel push-button for easy computer selection
- Backlit push-button with multi-color LED for easy monitoring and selection
- Built-in IR remote receiver and selectable Hot-key control
- Easy-to-use built-in OSD control menu
- Buzzer sound for computer switching confirmation
- Plug-and-Play system configuration
- No drivers needed for keyboard and mouse operation
- RS-232 control and firmware upgradable
- 400 MHz bandwidth for higher resolution display
- Built-in All-time Full DDC (Active - DDC to all connected systems)
- 3-year Warranty

Hot-Key Command

1. Hot-key selection

- Via front panel Hot-key select button
- Via Hot-key control
- Default Hot-key = **Ctrl**



Hot-key + Hot-key + **H** + New Hot-key

2. Hot-key and functions

Hot-key + Hot-key + **Space** → OSD Menu

Hot-key + Hot-key + **1** → Switch to Port #1

Hot-key + Hot-key + **2** → Switch to Port #2

Hot-key + Hot-key + **8** → Switch to Port #8

Hot-key + Hot-key + **Z** → Turn switching confirmation buzzer sound on/off

- Default = buzzer sound off

Hot-key + Hot-key + **S** **N** → Turn on Auto Channel Scan

- **S** = last setting interval , default = 5 seconds
- **N** (**1** ~ **5**) = 5, 8, 15, 20, 30 seconds
- Turn off Auto Channel Scan by pressing any key

Specification

		PR-18
Functional		
Computer port number		8
Cascading layer		2 layers (up to 64 systems)
On-Screen Display		Yes
Panel button control		8
Button LED color indication		PC On-Line - Green , Selected - Red , Both - Orange
IR remote control		Yes (Built-in receiver, controller RC-04 optional)
Hot plug-and-play		Yes
Hot key control		Yes
Auto scan		Yes (Hot key)
Selectable scan interval		5, 8, 15, 20, 30 sec (Hot key)
Beep sound		On / Off (Hot key selectable)
Cable length		30M (100ft) for PS/2 ; 30M (100ft) for VGA
VGA resolution		Max 1920 x 1440 , 400 MHz , DDC1 / DDC2B
System connectors	Keyboard	PS/2 (Mini DIN6) x 8
	Mouse	PS/2 (Mini DIN6) x 8
	Monitor	HDB-15 Male x 8
Console connectors	Keyboard	PS/2 (Mini DIN6) x 1
	Mouse	PS/2 (Mini DIN6) x 1
	Monitor	HDB-15 Female x 1
Mechanical		
Height		44 mm (1.73 inch)
Width		440 mm (17.3 inch)
Depth		131 mm (5.16 inch)
Weight		2300 g (5.06 lb)
Power		
Operating voltage		DC 9V (500 mA)
Power frequency		50-60 Hz
Certification		
FCC, CE		

Limited Warranty For ConnectPRO KVM Switches

ConnectPRO offers a 3-year limited warranty for all of its KVM Switches and KVM Switch modules. ConnectPRO stands behind its products assured that you're purchasing a proven technology with quality and reliability.



ConnectPRO - USA, Taiwan
www.connectpro.com

Corporate Office

20525 Paseo Del Prado Walnut, CA 91789, USA
Tel +1-909-444-9288 Fax +1-909-444-9289

Design Center and Operational Hubs

13F., No.120, Sec. 1, Sanmin Rd., Banciao Dist.,
New Taipei City 220, Taiwan, R.O.C.
Tel +886-2-8964-2700 Fax +886-2-8964-2977